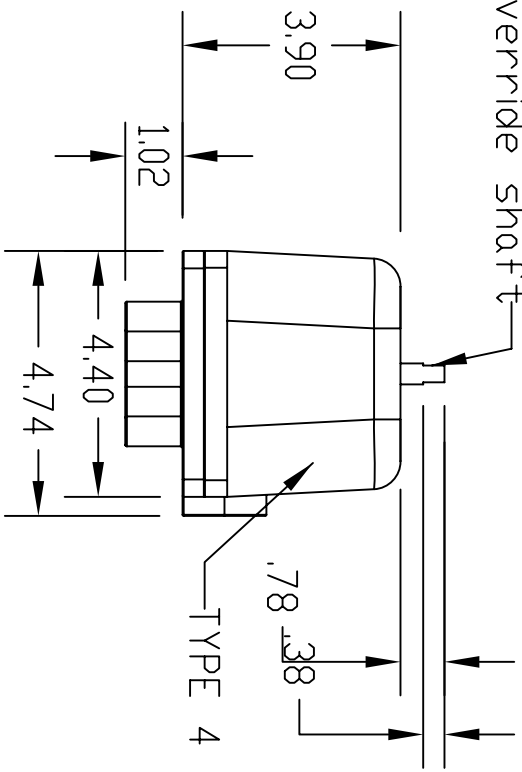
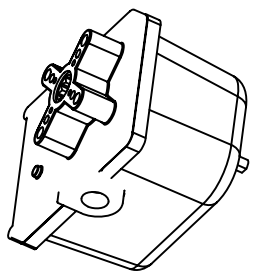


Manual override shaft



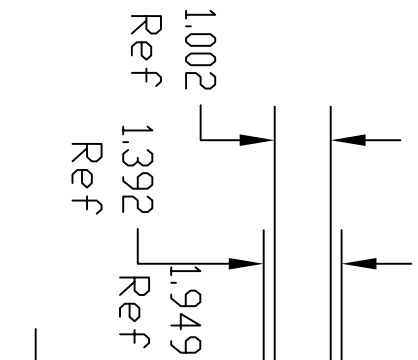
NOTES:

A. 14 mm (.551") square female X .62 deep output standard. Other configurations including 14 mm (.551") square male and 9 mm (.355") square female also available

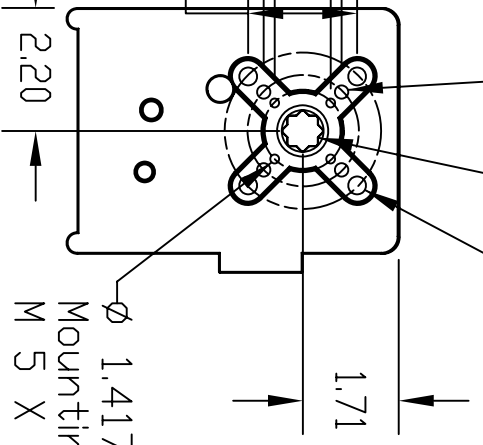


SCALE 0.200

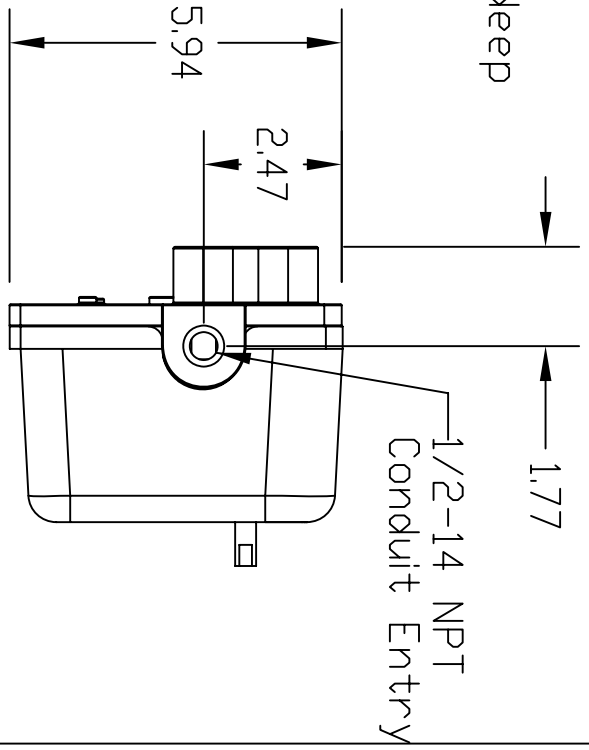
Ø 1.969 ISD F05
Mounting Pattern
M 6 X 1.0 X 10 mm deep



See Note A
Ø 2.756 ISD F07
Mounting Pattern
M 8 X 1.25 X 10 mm deep



Ø 1.417 ISD F03
Mounting Pattern
M 5 X 0.8 X 7 mm deep



Model RA, Female
Installation dimensions
METRIC UNITS

REX ENGINEERING CORP
1200 Chaffee Drive
Titusville, FL 32780
321-268-5500
WWW.REX-ENGINEERING.COM