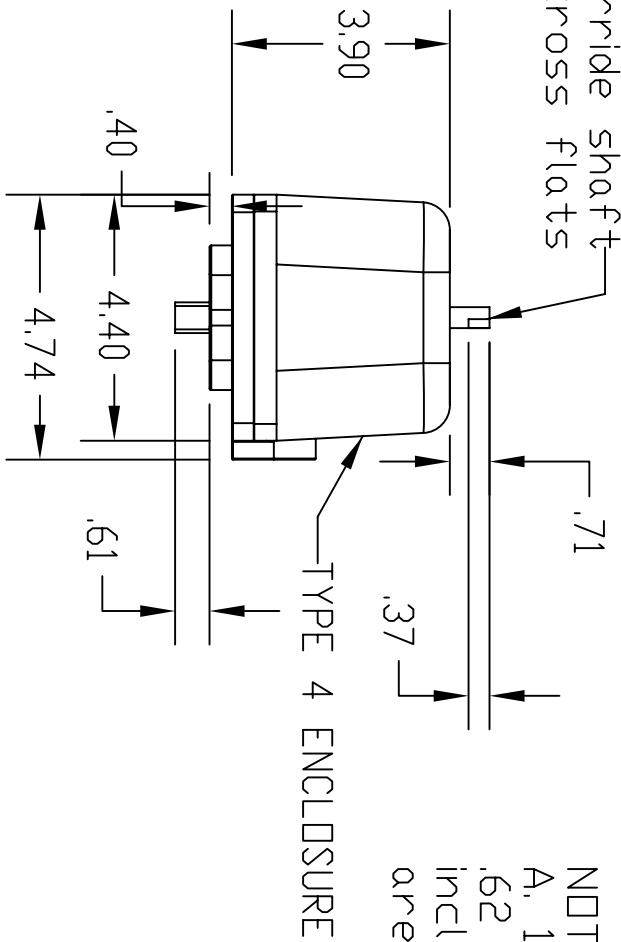
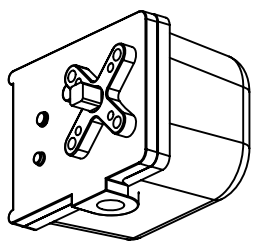


Manual override shaft
 .300 across flats

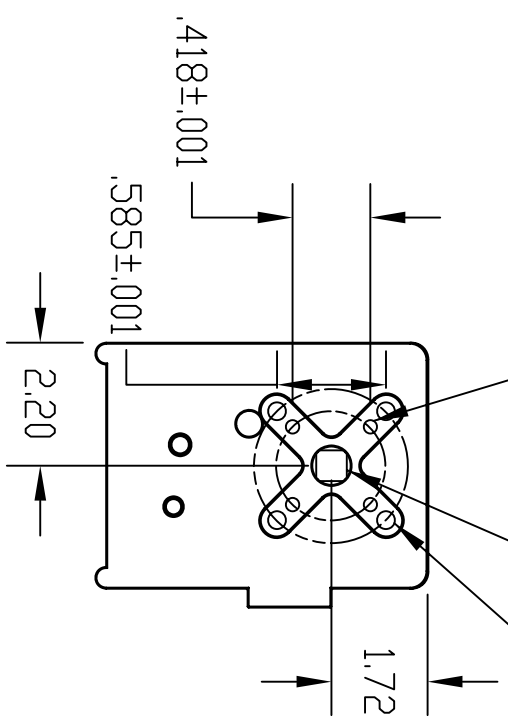


NOTES:
 A. 14 mm (.551") square male X
 .62 long shown. Other configurations
 including 14 mm (.551") square female
 are also available

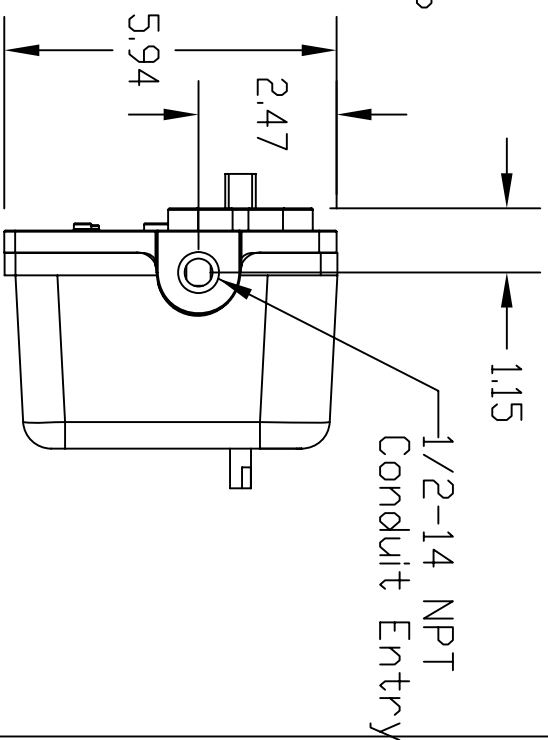


SCALE 0.200

Ø 1.969 ISD F05
 MOUNTING PATTERN
 1/4-20 X .40" DEEP



See Note A
 Ø 2.756 ISD F07
 MOUNTING PATTERN
 5/16-18 X .40" DEEP



Model RA, Square Male
 Installation dimensions
 ENGLISH UNITS

REX ENGINEERING CORP
 1200 Chaffee Drive
 Titusville, FL 32780
 321-268-5500
 WWW.REX-ENGINEERING.COM