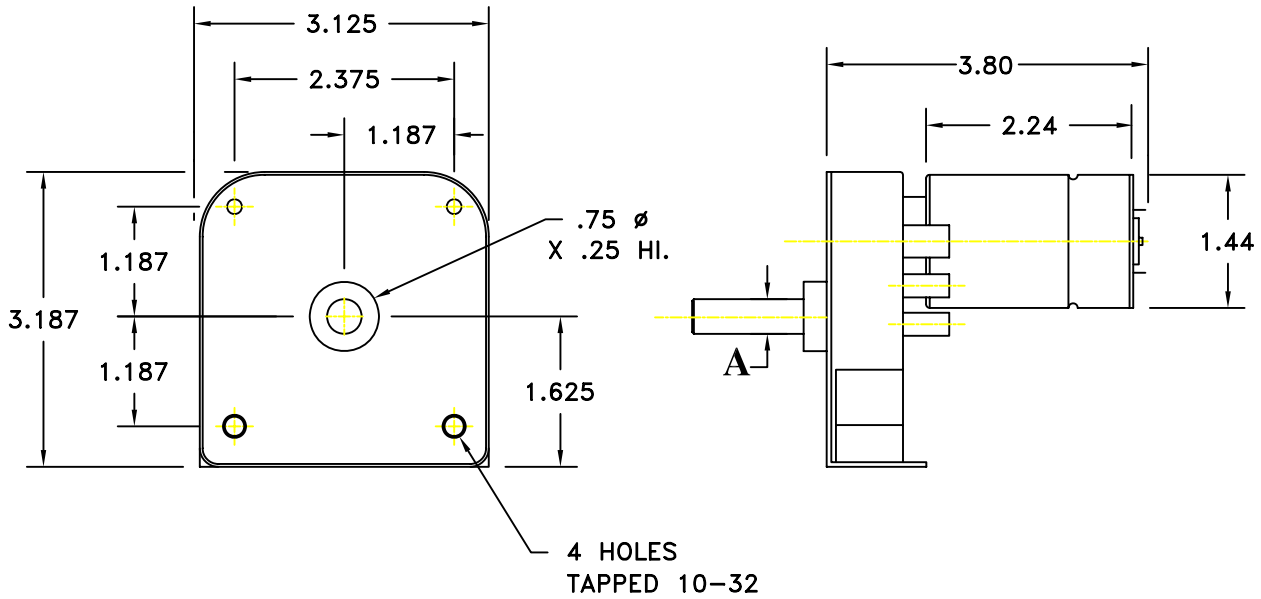


"CDX" MODEL



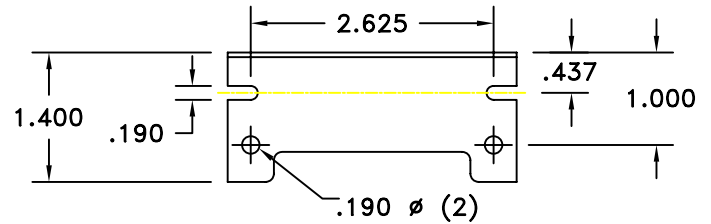
DC REVERSIBLE GEARMOTOR

A - OUTPUT SHAFT DIAMETER & LENGTH PER CUSTOMER REQUIREMENTS.

- * OUTPUT SPEED FROM 0.5 - 800 RPM
- * OUTPUT TORQUE TO 50 IN. LB.
- * CONTINUOUS DUTY
- * 6 - 30 VDC

OPTIONS:

HEAVY DUTY NEEDLE BEARINGS
ELECTRONIC NOISE ATTENUATORS



MOUNTING FOOT DETAIL

REX ENGINEERING CORP.

TITUSVILLE, FL (321)268-5500