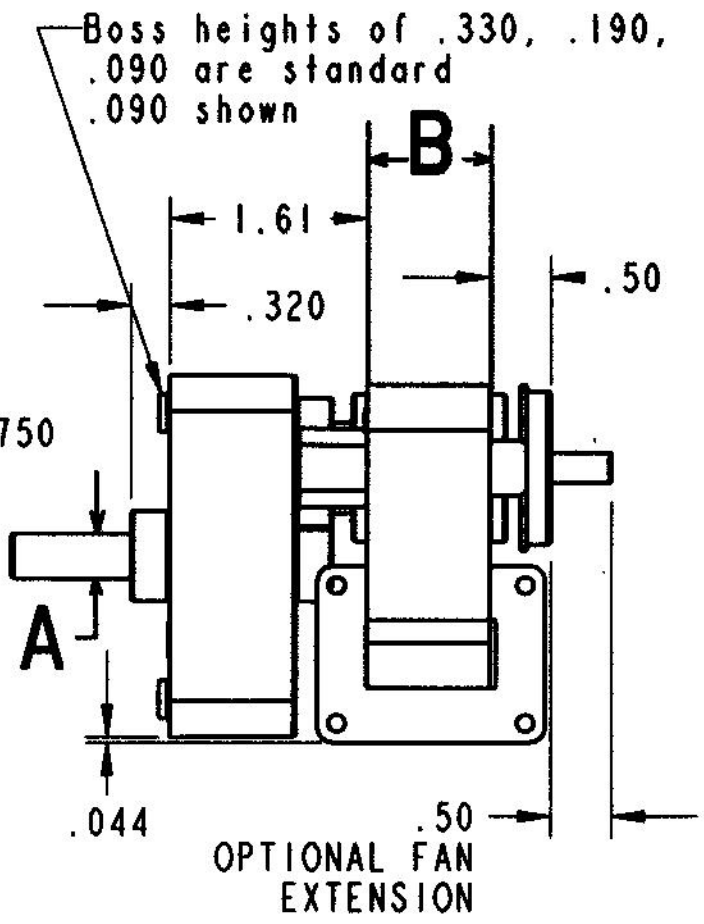
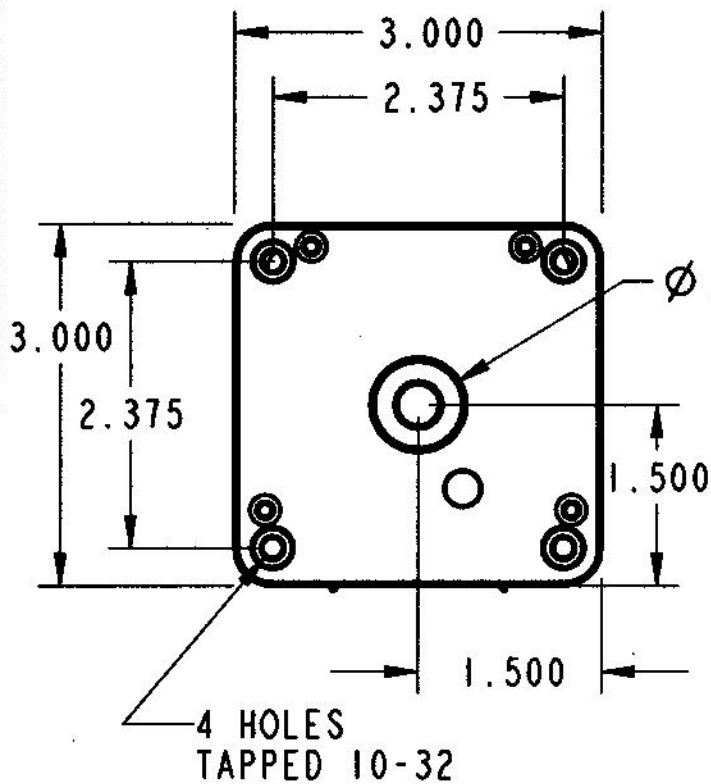


"CL MODEL"



AC UNIDIRECTIONAL GEARMOTOR

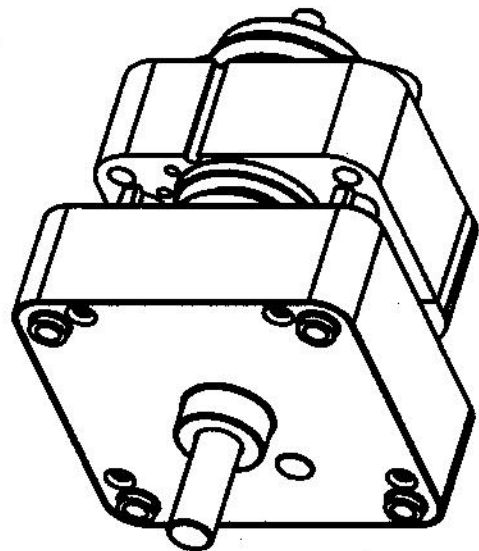
A - OUTPUT SHAFT DIAMETER & LENGTH PER CUSTOMER REQUIREMENTS

B - 5/8" - 2" DEPENDING UPON RPM & TORQUE REQUIREMENTS

- OUTPUT SPEED FROM 1-800 RPM
- OUTPUT TORQUE UP TO 75 IN. LB. DEPENDING ON SPEED
- CONTINUOUS OR INTERMITTENT DUTY
- SELF-RESETTING THERMAL PROTECTION
- U.L., C.S.A. & T.U.V. APPROVED
- 18 GAUGE LEADS

OPTIONS

- 2.5" DIAMETER PLASTIC COOLING FAN
- HEAVY DUTY NEEDLE BEARINGS
- FRICTION BRAKES
- TERMINALS



REX ENGINEERING CORP.

TITUSVILLE, FL 321-268-5500