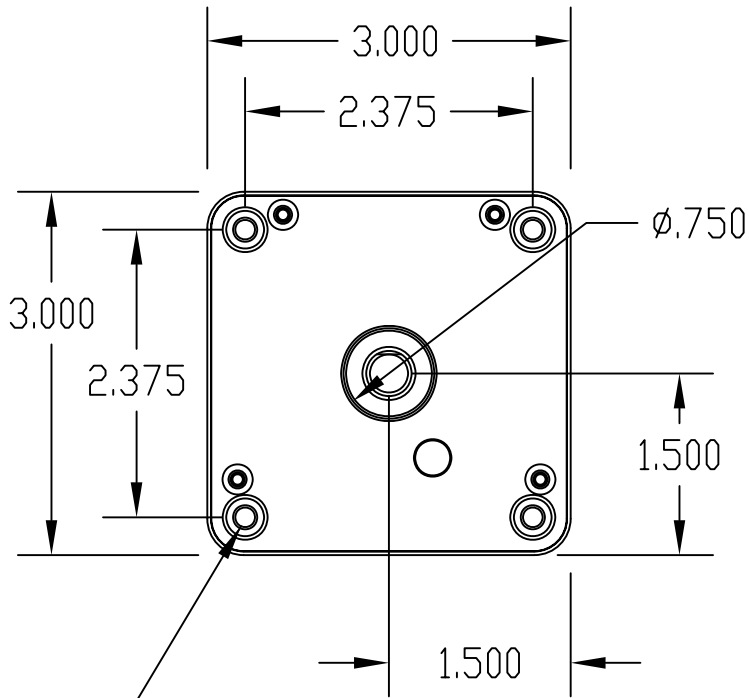
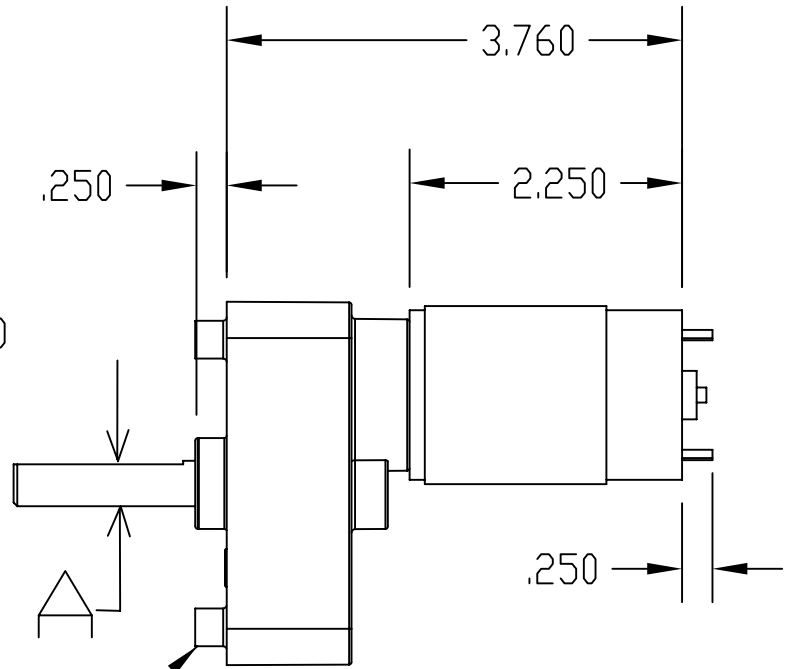


"CLX MODEL"



4 HOLES
TAPPED 10-32



Boss heights of .260, .120,
.020 are standard

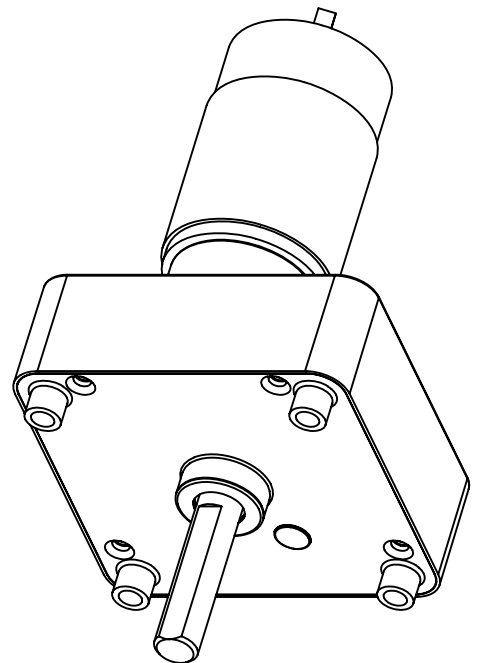
DC GEARMOTOR

A - OUTPUT SHAFT DIAMETER & LENGTH
PER CUSTOMER REQUIREMENTS

- * RATED VOLTAGE, 6 - 30 VDC
- * OUTPUT SPEED FROM 1 -800 RPM
- * OUTPUT TORQUE UP TO 75 IN. LB. DEPENDING ON SPEED
- * CONTINUOUS OR INTERMITTANT DUTY

OPTIONS

HEAVY DUTY NEEDLE BEARINGS



REX ENGINEERING CORP.

TITUSVILLE, FL 321-268-5500