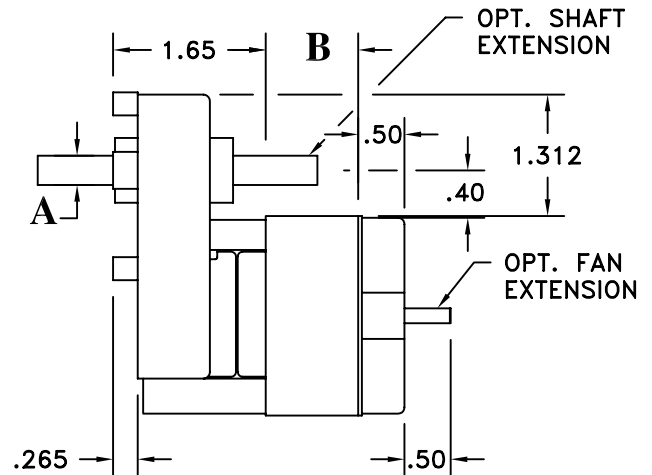
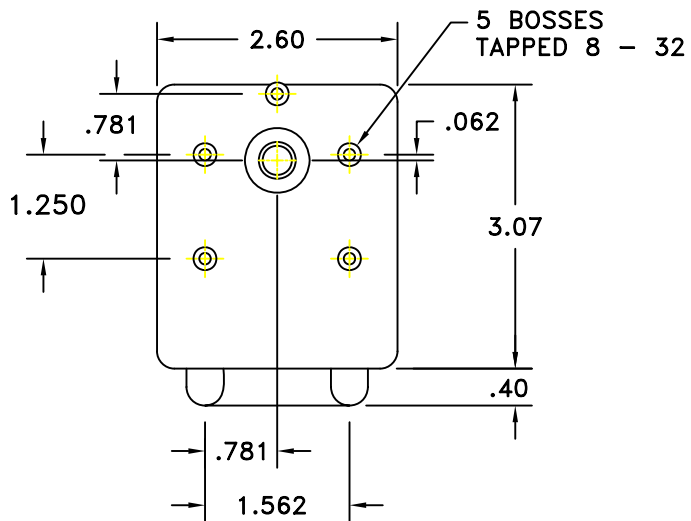


# "CPC" MODEL



## AC REVERSIBLE GEARMOTOR

**A** - OUTPUT SHAFT DIAMETER & LENGTH PER CUSTOMER REQUIREMENTS.

**B** - FROM 5/8" TO 2" DEPENDING UPON R.P.M. AND TORQUE REQUIREMENTS.

- \* OUTPUT SPEED FROM 2 - 500 RPM
- \* OUTPUT TORQUE TO 50 IN. LB.
- \* 24/120/240 VAC/ 50/60 HZ
- \* CONTINUOUS OR INTERMITTANT DUTY
- \* SELF-RESETTING THERMAL PROTECTION
- \* U.L. & C.S.A. APPROVED
- \* 3 WIRE, PERMANENT SPLIT CAPACITOR CONSTRUCTION
- \* 18 GAUGE LEADS

## OPTIONS:

HIGH TEMPERATURE PLASTIC FAN,  
1 7/8"  $\phi$  x 3/8" THICK  
HEAVY DUTY NEEDLE BEARINGS  
CAPACITOR  
FRICTION BRAKES  
TERMINALS

REX ENGINEERING CORP.

TITUSVILLE, FL (321) 268-5500