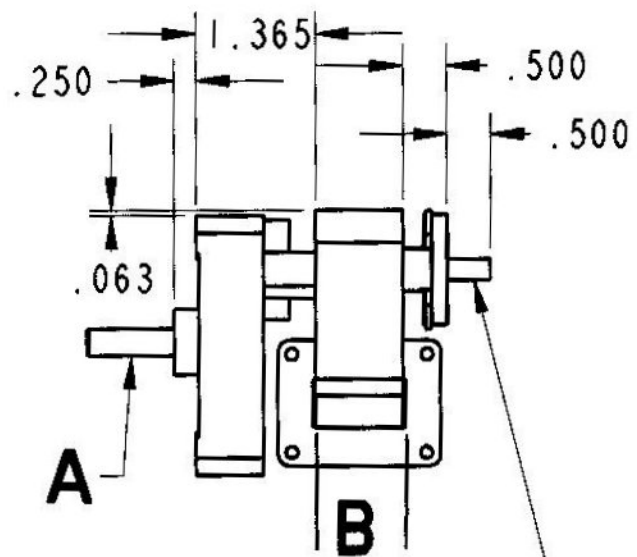
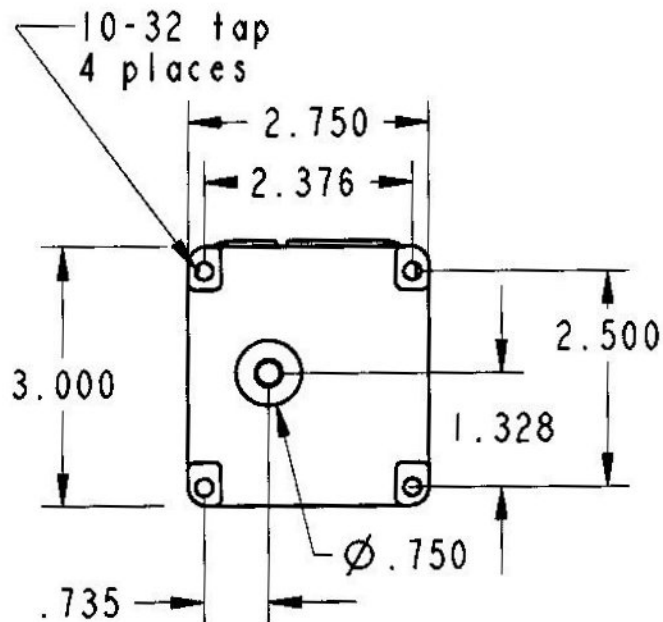


"H2SP" MODEL



FAN EXTENSION
IF REQUIRED

AC UNIDIRECTIONAL GEARMOTOR

A- OUTPUT SHAFT DIAMETER & LENGTH
PER CUSTOMER REQUIREMENTS, 3/8" MAX

B- FROM 5/8" TO 2" DEPENDING UPON
R.P.M. AND LOAD REQUIREMENTS

- * OUTPUT SPEED FROM 2-500 RPM
- * OUTPUT TORQUE TO 50 IN. LB.
- * 24/120/240 VAC 50/60 HZ
- * CONTINUOUS OR INTERMITTANT DUTY
- * U.L., C.S.A., & T.U.V. APPROVED
- * 18 GAUGE LEADS

OPTIONS

2.5" DIA. PLASTIC COOLING FAN
HEAVY DUTY NEEDLE BEARINGS
FRICTION BRAKES
TERMINALS
ONE WAY CLUTCH

REX ENGINEERING CORP.

TITUSVILLE, FL 321-268-5500