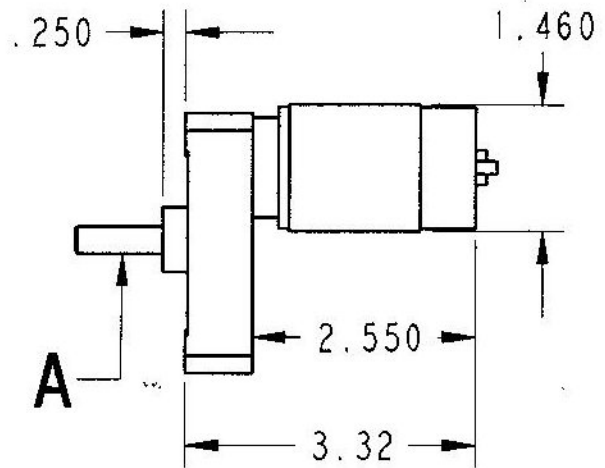
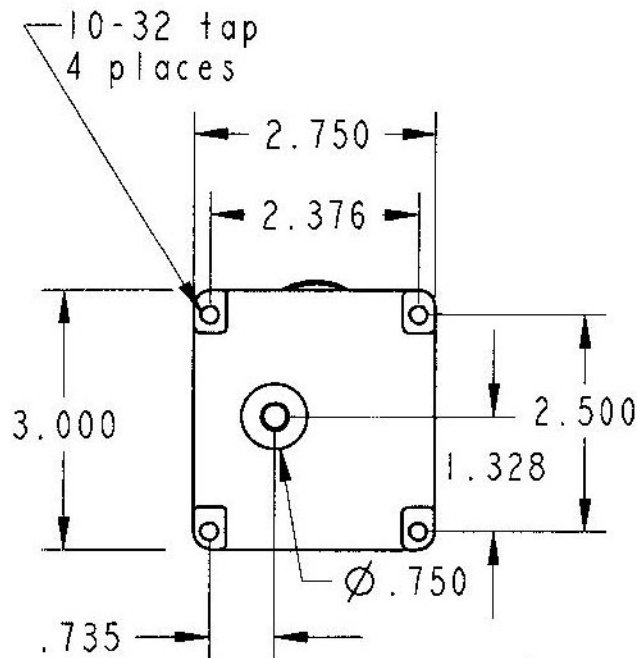


"H2X" MODEL



DC REVERSIBLE GEARMOTOR

A- OUTPUT SHAFT DIAMETER & LENGTH
PER CUSTOMER REQUIREMENTS, 3/8" MAX.

- *OUTPUT SPEED FROM 3-500 RPM
- *OUTPUT TORQUE TO 50 IN. LB.
- *CONTINUOUS DUTY
- *6-30 VDC

OPTIONS

HEAVY DUTY NEEDLE BEARINGS
ELECTRONIC NOISE ATTENUATORS

REX ENGINEERING CORP.

TITUSVILLE, FL 321-268-5500