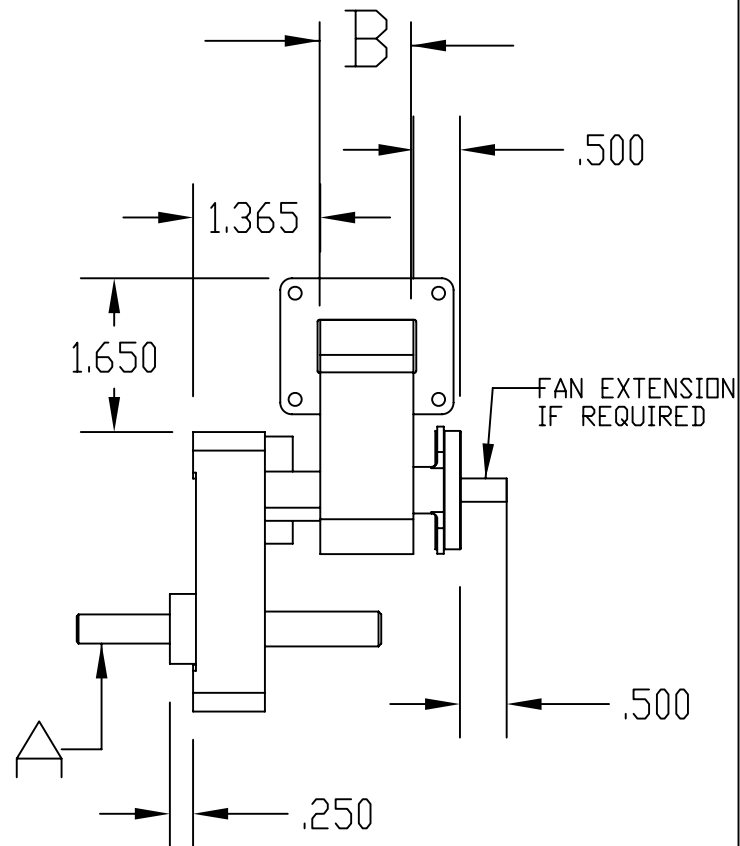
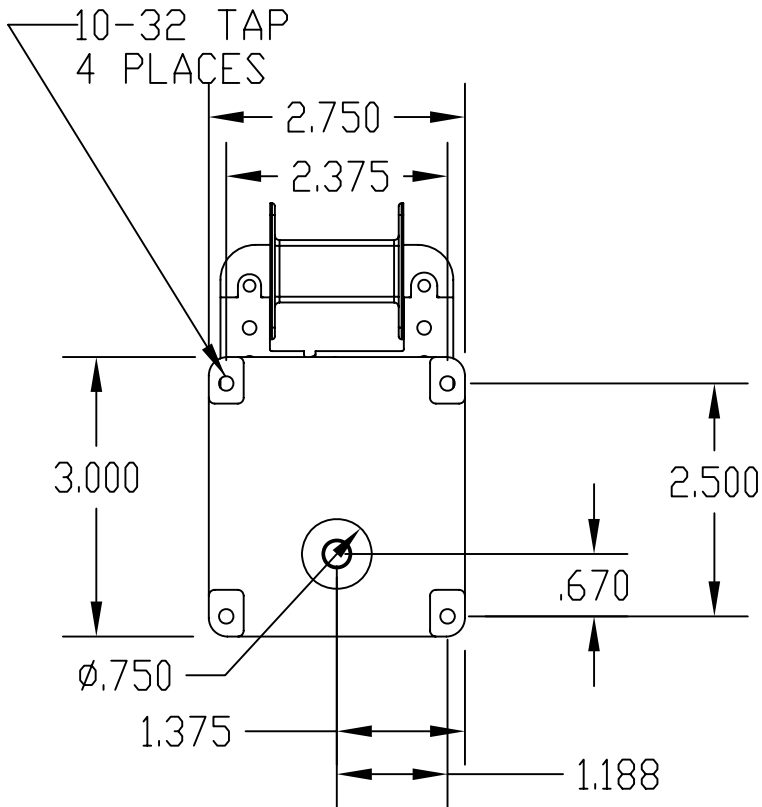


# "HSP" MODEL

Reverse mount



## AC UNIDIRECTIONAL GEARMOTOR

A- OUTPUT SHAFT DIAMETER & LENGTH  
PER CUSTOMER REQUIREMENTS, 3/8" MAX

B- FROM 5/8" TO 2" DEPENDING UPON  
R.P.M. AND LOAD REQUIREMENTS

- \* OUTPUT SPEED FROM 0.3-500 RPM
- \* OUTPUT TORQUE TO 50 IN. LB.
- \* 24/120/240 VAC 50/60 HZ
- \* CONTINUOUS OR INTERMITTANT DUTY
- \* U.L., C.S.A., & T.U.V. APPROVED
- \* 18 GAUGE LEADS

## OPTIONS

2.5" DIA. PLASTIC COOLING FAN  
HEAVY DUTY NEEDLE BEARINGS  
FRICTION BRAKES  
TERMINALS  
ONE WAY CLUTCH

REX ENGINEERING CORP.

TITUSVILLE, FL 321-268-5500