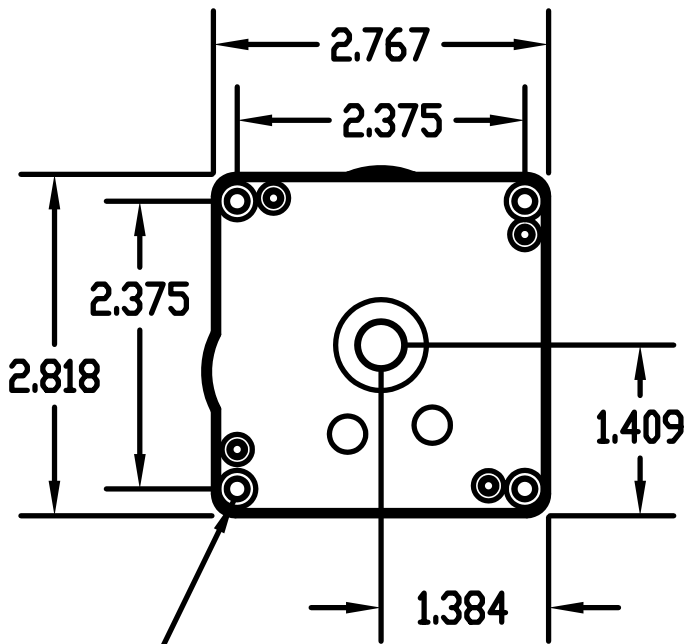
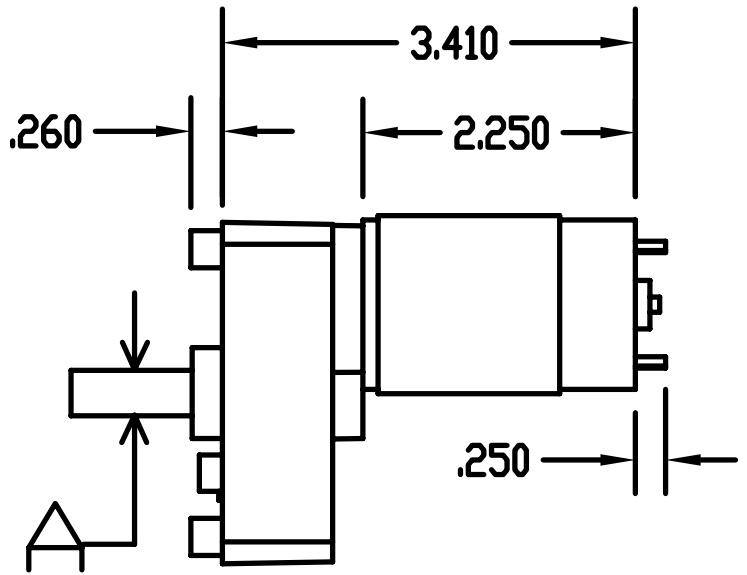


"PBX MODEL"



4 HOLES
TAPPED 10-32

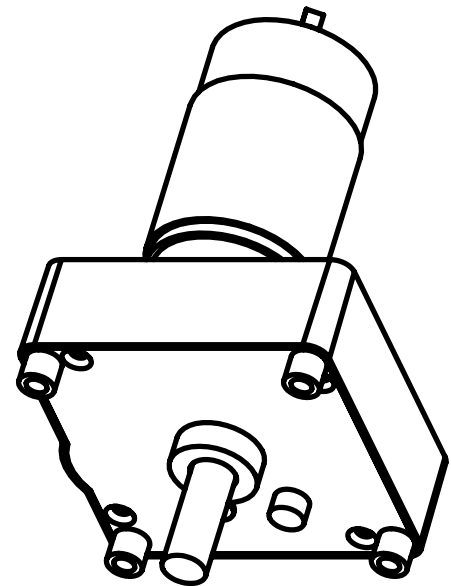


DC GEARMOTOR



- OUTPUT SHAFT DIAMETER & LENGTH
PER CUSTOMRT REQUIREMENTS

- * RATED VOLTAGE, 6 - 30 VDC
- * OUTPUT SPEED FROM 1-800 RPM
- * OUTPUT TORQUE UP TO 35 IN. LB. DEPENDING ON SPEED
- * CONTINUOUS OR INTERMITTANT DUTY
- * BUILT-IN EMI REDUCTION



REX ENGINEERING CORP.

TITUSVILLE, FL 321-268-5500