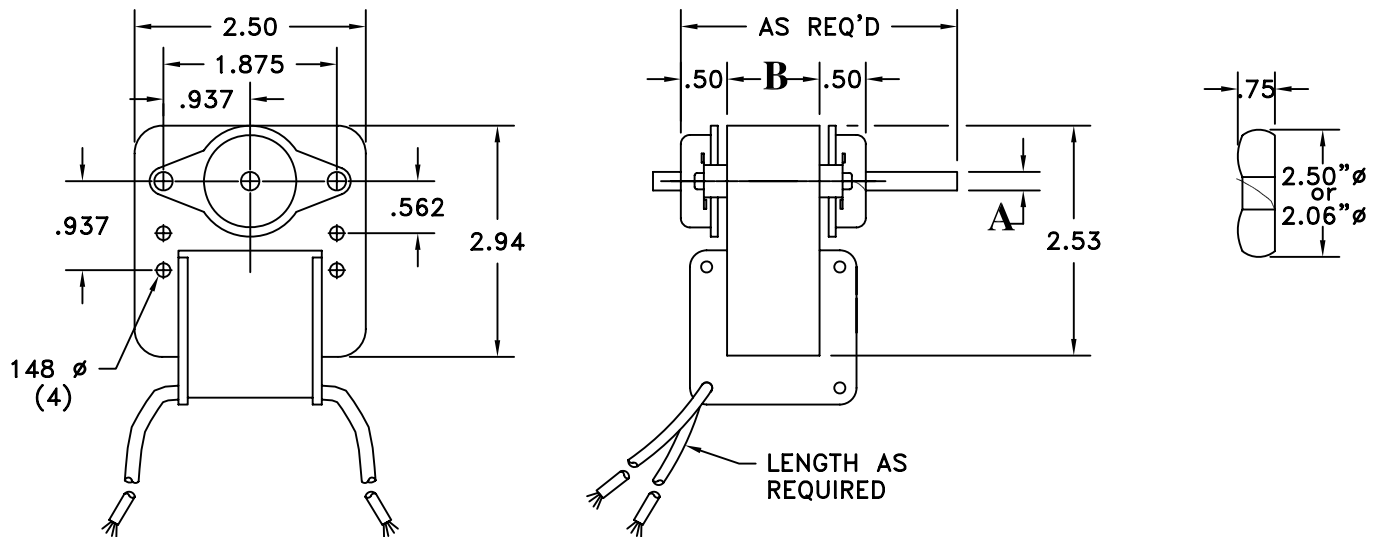


## "SP" MODEL



### AC UNIDIRECTIONAL MOTOR

**A** – MAXIMUM OUTPUT SHAFT DIAMETER IS 0.250" LENGTH PER CUSTOMER REQUIREMENTS.

**B** – 5/8" – 2" DEPENDING UPON TORQUE REQUIREMENTS

- \* OUTPUT SPEED IS APPROX. 3300 RPM
- \* OUTPUT TORQUE TO 16 OZ. IN.
- \* 24/120/240 VAC. 50/60 HZ
- \* CONTINUOUS OR INTERMITTANT DUTY
- \* IMPEDENCE PROTECTED OR SELF-RESETTING THERMAL PROTECTION
- \* U.L., C.S.A. & T.U.V. APPROVED
- \* 18 GAUGE LEADS
- \* OIL IMPREGNATED BRONZE BEARINGS
- \* 2 1/2" PLASTIC FAN BLADE

REX ENGINEERING CORP.

TITUSVILLE, FL

(321)268-5500